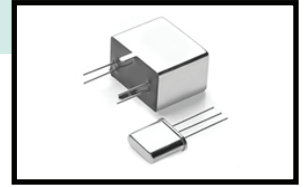


## 10M



## General Description

Metal case packed Crystal filter based on monolithic technology.

## Features

Compact and light weight  
Stable temperature characteristics  
Outstanding vibration and shock resistant characteristics

## Main applications

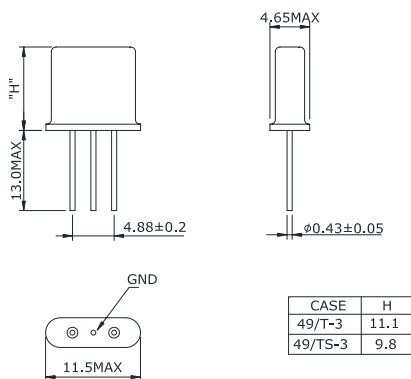
Wireless

## Electrical characteristics

Type	Channel (kHz)	Poles	BW (dB) (kHz)	Stop band (dB) (kHz)	Ripple (dB)	Insertion loss (dB)	Minimum attenuation (dB)	Load (kΩ// pF)	Holder	Cc (pF)
10M4D	-	8	6 ±2.0	80 ±5.0	2.0	4.0	90	0.9//10	D1	
10M7.5A	12.5	2	3 ±3.75	20 ±14	0.5	2.0	30	1.5//5	49/T-3	
10M7.5B	12.5	4	3 ±3.75	40 ±14	1.0	2.5	40	1.5//5	49/T-3X2	15
10M7.5D	12.5	8	3 ±3.75	90 ±12.5	2.0	4.0	90	1.5//6	D1	
10M 8B	12.5	4	3 ±4.0	40 ±15	1.0	2.5	40	1.5//6	49/UA-3X2	
10M 12A	20.0	2	3 ±6.0	18 ±23	0.5	2.0	20	2.5//2.5	49/T-3	
10M 12B	20.0	4	3 ±6.0	40 ±20	1.0	2.5	40	1.5//2	49/T-3X2	
10M 15A	25.0	2	3 ±7.5	18 ±25	0.5	2.0	20	3.0//2	49/T-3	
10M 15B	25.0	4	3 ±7.5	40 ±25	1.0	2.5	50	3.0//2	49/T-3X2	5
10M 15C	25.0	6	3 ±7.5	60 ±25	2.0	3.0	65	3.0//1.5	C1	
10M 15D	25.0	8	3 ±7.5	90 ±25	2.0	4.0	80	3.0//1.5	D1	
10M 20A	-	2	3 ±10	18 ±34	0.5	2.0	20	3.9//0	49/T-3	
10M 20B	-	4	3 ±10	40 ±34	1.0	2.5	40	3.9//0	49/T-3X2	
10M 30A	50.0	2	3 ±15	15 ±50	1.0	2.0	15	5.0//0	49/T-3	
10M 30B	50.0	4	3 ±15	30 ±40	0.5	2.5	30	5.5//1	49/T-3X2	
10M14A		2	3 ±6.5	18 ±25	0.5	1.5	30	2.4//1.9	UM1-3	

## Dimensions

HC-49/T-3, HC-49/TS-3



C1 , D1

