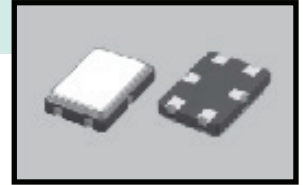


## 96SMF



### General Description

Ceramic case packed Crystal filter based on monolithic technology.

### Features

- Compact and light weight
- Stable temperature characteristics
- Outstanding vibration and shock resistant characteristics

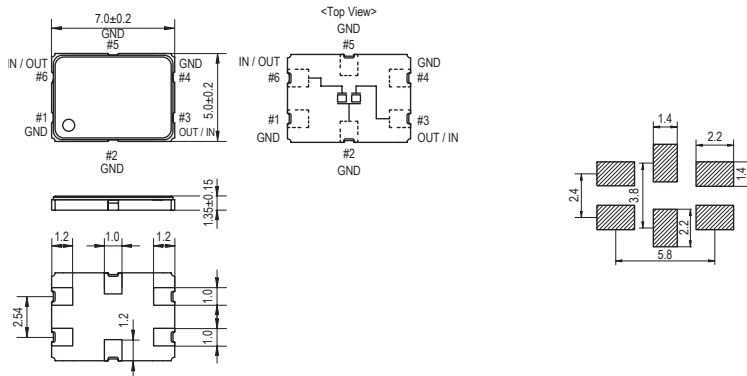
### Main applications

Wireless

### Electrical characteristics

Part Number	Nominal Frequency fo (MHz)	Passband min. (dB) (kHz)		Stopband max. (dB) (kHz)		Attenuation Guaranteed min. (dB) (kHz)		Ripple max. (dB)	Loss max. (dB)	Terminating Impedance (Ω // pF)		No. of Pole
		3	±3.75	18	±25.0	70	-910			850 //	6.0	
96SMF214A7.5A	21.4	3	±3.75	18	±25.0	70	-910	1.0	2.0	850 //	6.0	2
96SMF214A7.5B	21.4	3	±3.75	18	±14.0	70	-910	1.0	2.0	870 //	6.0	2
96SMF214A7.5C	21.4	3	±3.75	15	±12.5	60	-900	1.0	2.0	870 //	6.0	2
96SMF214A12	21.4	3	±6.0	15	±20.0	70	-910	0.5	1.5	1200 //	2.0	2
96SMF214A15A	21.4	3	±7.5	18	±25.0	70	-910	1.0	2.0	1500 //	1.5	2
96SMF214A15B	21.4	3	±7.5	18	±25.0	70	-910	1.0	2.0	1500 //	2.0	2
96SMF214A15C	21.4	3	±7.5	18	±25.0	70	-910	0.5	1.5	1500 //	2.5	2
96SMF214A20	21.4	3	±10.0	15	±30.0	70	-910	1.0	2.0	1800 //	1.0	2
96SMF214A30A	21.4	3	±15.0	15	±45.0	70	-910	1.0	2.0	2000 //	0.5	2
96SMF214A30B	21.4	3	±15.0	15	±45.0	60	-910	1.0	2.0	2000 //	0.5	2
96SMF217A7.5A	21.7	3	±3.75	20	±18.0	70	-910	1.0	2.0	850 //	6.0	2
96SMF217A7.5B	21.7	3	±3.75	18	±14.0	70	-910	1.0	2.0	870 //	6.0	2
96SMF217A7.5C	21.7	3	±3.75	15	±12.5	70	-910	1.0	2.0	850 //	3.5	2
96SMF217A7.5D	21.7	3	±3.75	18	±12.5	50	-910	1.0	2.0	1500 //	6.0	2
96SMF217A7.9	21.7	3	±3.95	18	±12.5	70	-910	1.0	2.0	850 //	8.0	2
96SMF217A15A	21.7	3	±7.5	18	±25.0	70	-910	1.0	2.0	1500 //	2.5	2
96SMF217A15B	21.7	3	±7.5	18	±25.0	70	-910	0.5	2.0	1500 //	1.5	2
96SMF217A15C	21.7	3	±7.5	15	±25.0	70	-910	1.0	2.0	1500 //	2.0	2
96SMF450A7.5A	45.0	3	±3.75	10	±12.5	70	-910	1.0	2.0	200 //	4.0	2
96SMF450A7.5B	45.0	3	±3.75	20	±25.0	70	-910	1.5	2.0	650 //	3.5	2

### Dimensions



Remark : specifications subject to change without prior notice. Please confirm with our sales