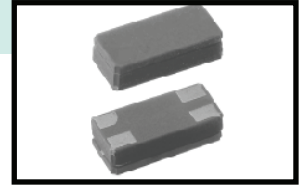


Clock Oscillator (CMOS 32.768KHz)

OV7604-C7 / OM0100-C7

**General Description**

The OV7604/OM0100 is a Low Frequency SMT Oscillator that incorporates an integrated CMOS circuit together with an XTAL. It operates under vacuum in a hermetically sealed ceramic package with ceramic lid.

Features

Wide supply voltage range.
Very low power consumption.
Synchronized enable/disable.
Small size, low profile, lightweight (12.4 mg).
High shock and vibration resistant.

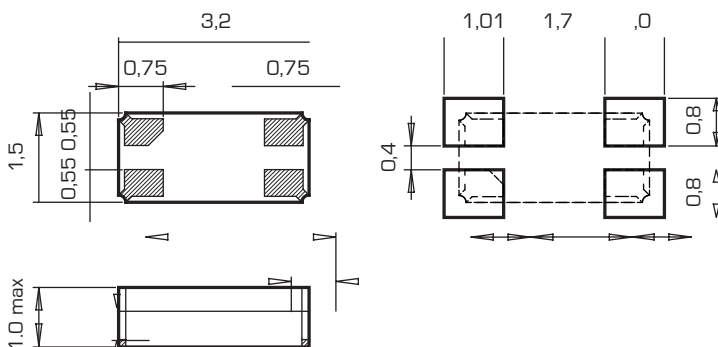
Main applications

Metering, Industrial, Automotive, Health Care, Medical Implantable

Electrical characteristics

Item	Values	
Part number	OV7604-C7	OM0100-C7
Output Waveform	SQUARED	
Supply voltage	+1.2 / 5.5V	
Frequency range	32.768KHz	100KHz
Current consumption	0.3µA - 0.5µA max	0.65µA - 0.85µA max
Operating temperature range	-40 / +85°C	
Storage temperature range	-55°C / +125°C	
Frequency stability	-0.035ppm/°C ²	
Turnover temperature	+25°C ±5°C	
Output load	15pF	
Duty cycle	40% ... 60%	
VOH / VOL	90% Vcc / 10% Vcc	
Tr / Tf	10ns max or user spec	
Option Enable-Disable/Tri-state	available (Enable @ >70% Vcc , Disable at <30% Vcc)	
Start up time	0.5s max	
Aging	<±3ppm / year	

Dimensions



OV7604-C7 / OM0100-C7

Part Number Generator

OV7604-C7 - **0.032768**
0 1

0 : Type
OV7604-C7 OM100-C7
1 : Frequency (MHz)
□□□.□□□□□□ max 10 digits including comma

