

OCXO (Sinus, HCMOS)

OX-DIL14A, OXDIL14S



General Description
Small metal case packaged OCXO

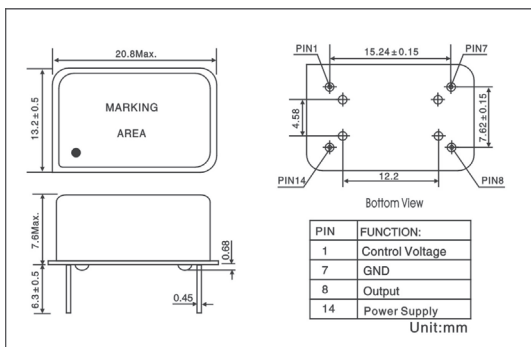
Features
Wide frequency range
Tight stability down to ± 25 ppb

Main applications
Telecomm., DVB

Electrical characteristics

Item	Values	
Part number	OX-DIL14A	OCDIL14S
Crystal Cut angle	AT	SC
Output Waveform	Sinus , HCMOS	Sinus , HCMOS
Output load	sinus : load 50 Ω , Level >2dBm CMOS : 15pF max	sinus : load 50 Ω , Level >2dBm CMOS : 15pF max
Frequency range	2 - 100 MHz	up to 120MHz
Supply voltage	+3.3V , +5.0V , +12V	+3.3V , +5.0V , +12V
Initial frequency tolerance @ +25°C	< ± 0.5 ppm	< ± 0.5 ppm
Frequency stability vs temp. vs Vdd vs Load	± 30 - 100ppb typical ± 20 ppb (Vdd $\pm 5\%$) ± 20 ppb (Load $\pm 10\%$)	± 25 - 100ppb typical ± 20 ppb (Vdd $\pm 5\%$) ± 20 ppb (Load $\pm 10\%$)
Aging	< ± 0.5 ppm first year / 3ppm in 10years	< ± 0.5 ppm first year / 3ppm in 10years
Operating temp. range	up to -40°C / +75°C	up to -40°C / +75°C
Storage temp. range	-40°C / +100°C	-40°C / +100°C
Warm-up time	< ± 0.5 ppm <3min	< ± 0.5 ppm <3min
Frequency adjustment	± 5 ppm	± 5 ppm
Control voltage	0-3.3V , 0-5.0V	0-3.3V , 0-5.0V
Slope	positive	positive
Linearity	10%	10%
Phase noise	10Hz, -90dBc/Hz 100Hz, -120dBc/Hz 1KHz, -145dBc/Hz 10KHz, -150dBc/Hz	10Hz, -110dBc/Hz 100Hz, -135dBc/Hz 1KHz, -145dBc/Hz 10KHz, -150dBc/Hz

Dimensions



Part number generator :
please contact 2B Elettronica