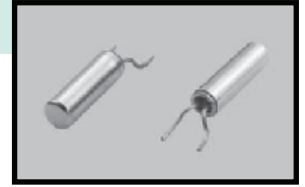


Quartz Crystal Resonator (32.768KHz)



TC26SM1

General Description

The TC26SM1 IS A low frequency through-hole technology Watch Quartz Crystal Unit, which incorporate a tuning fork Quartz Crystal Resonator. It operates under vacuum in a hermetically sealed tubular metal can package

Features

High stability and low aging guaranteed by hermetic sealing. Available for extended operating temperature range. Small size, low profile, lightweight. 100% Pb-free, RoHS-compliant. Very price competitive product

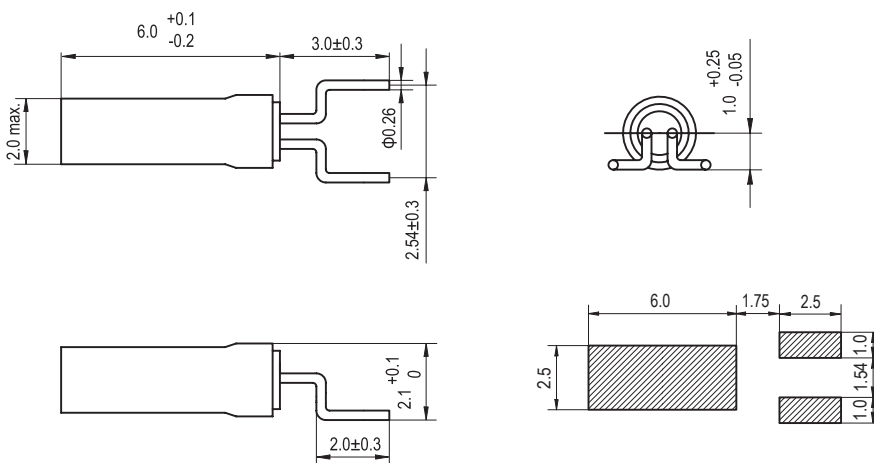
Main Applications

Mobile phone, Notebook

Electrical characteristics

Item	Symbol	Values
Part number		TC26SM1
Nominal frequency	F	32.768 KHz
Frequency tolerance (@ +25°C)	$\Delta f/F$	$\pm 15 / \mathbf{20}$ ppm
Frequency stability	$\Delta f/F$	-0.04 ppm/°C ²
Operating temp. range	To	-40°C / +85°C
Storage temp. range	Ts	-55°C / +125°C
Load capacitance	Cl	8.0 / 10 / 12.5
Equivalent serie resistance	ESR	50 KΩ MAX
Shunt capacitance	CO	1.45pF [typical]
Motional capacitance	C1	0.0034pF [typical]
Drive level	P	0.5μW max
Turnover temperature	Tt	+25°C ±5°C
Quality factor	Q	50000 min.
Aging	$\Delta f/F$	±3ppm max @ +25°C

Dimensions



TC26SM1

Part Number Generator

TC26SM1 - 0.032768 P12.5 C N TR xxx

1 2 3 4 5 6

1 : Frequency (MHz)

□□□.□□□□□□□□

max 10 digits including comma

2 : Load capacitance

P8 = 8pF
 P10 = 10pF
 P12.5 = 12.5pF

3 : Tolerance

C= $\leq \pm 20$ ppm
 D= $\leq \pm 15$ ppm

4 : Op. Temp. range

N=-40/+85

5 : Packing

TR = Tape & Reel (3K pcs)

6 : Customized code

Note : factory use