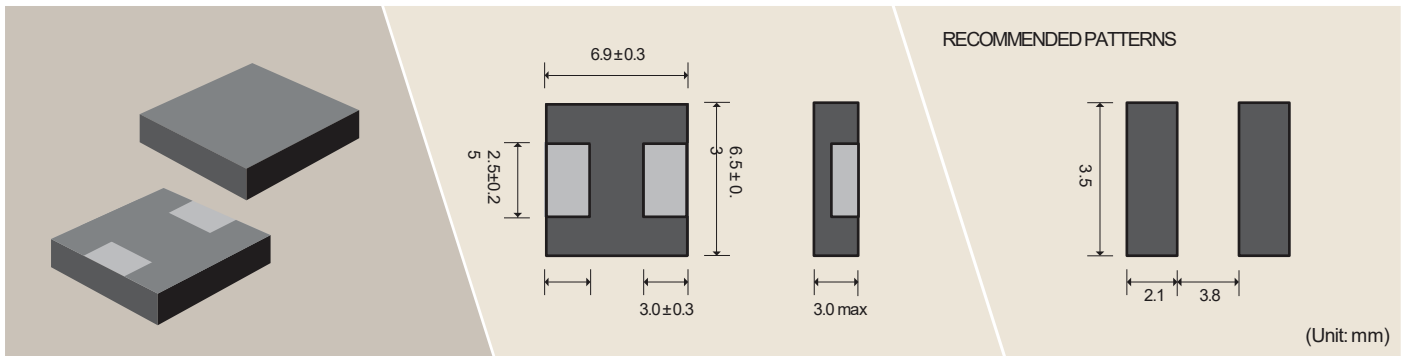


## Metal Power Inductors PANEL type : WPI695830 (AUTOMOTIVE AEC-Q200)



## Features

- Magnetic alloy power choke coil.
- Low acoustic noise and high efficiency.
- Magnetic alloy power choke coil.
- Halogen Free and RoHS compliant.

## Specification

Parts No.	Inductance (μH)	Tolerance (%)	DC Resistance (mΩ) Max. (Typ.)	Rated DC Current (A) Typ.	
				$\Delta L/L=30\%$	$\Delta T=40^\circ$
WPI696530-R22	0.22	±20	2.5 (2.1)	24.0	12.5
WPI696530-1R0	1.0	±20	8 (6.7)	11.0	8.0
WPI696530-2R2	2.2	±20	19.2 (16)	10.0	5.5
WPI696530-4R7	4.7	±20	42 (35)	5.5	4.1
WPI696530-100	10.0	±20	74.4 (62)	3.8	3.0
WPI696530-220	22.0	±20	180 (150)	3.6	2.0

Remark : specifications subject to change without prior notice. Please confirm with our sales

## Example of characteristics

