

## Clock Oscillator (CMOS)

# SCO-02



### General Description

Metal case packaged DIL14 oscillator for general purpose applications in electronics

### Features

Wide frequency range  
Extended temperature range  
Heavy load option

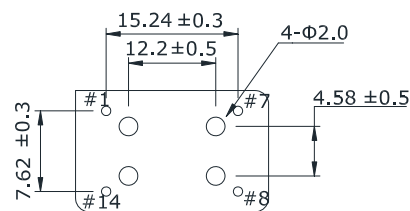
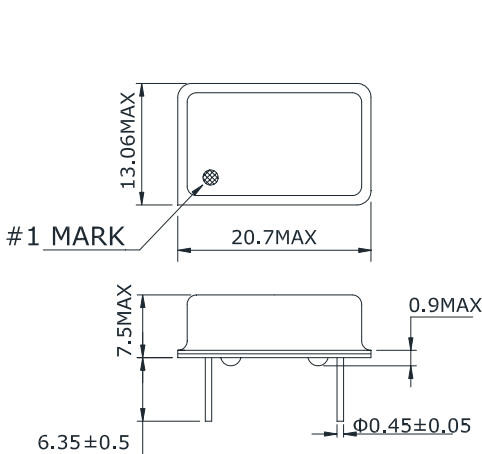
### Main applications

Telecomm., PC, Monitor, Printer, FAX

## Electrical characteristics

Item	Values
Part number	SCO-02
Output Waveform	SQUARED
Supply voltage	+3.3V , +5.0V
Frequency range	32.768KHz , 0.75 - 200MHz
Current consumption	up to 63mA (+3.3V) ; up to 80mA (+5.0V)
Operating temperature range	-40 / +85°C
Storage temperature range	-55°C / +125°C
Frequency stability	<±50ppm overall or user spec
Output load	TTL, CMOS (15pF), option 50pF
Duty cycle	40% ... 60%, option 45%...55%
VOH / VOL	90% Vcc / 10% Vcc
Tr / Tf	10ns max or user spec
Option Enable-Disable/Tri-state	available (Enable @ >70% Vcc , Disable at <30% Vcc)
Start up time	5ms max
Phase jitter (12KHz - 20MHz)	1ps RMS max
Period jitter (pk-pk)	25ps max
Aging	<±3ppm / year

## Dimensions



### CONNECTION

- #1 : OUTPUT(Q̄)
- #7 : GND
- #8 : OUTPUT(Q)
- #14 : VDD

# Clock Oscillator (CMOS)

## SCO-02

### Part Number Generator

**SCO-02      0      D      S      A      50      A      A      -      010.000000**  
 0            1            2            3            4            5            6            7            -            8

**0** : Type  
SCO-02

**1** : Vcc  
0 = +5.0V  
3 = +3.3V  
4 = +3.3V (50pF)  
6 = +5.0V (50pF)

**2** : Duty cycle  
blank = 40% - 60%  
D = 45% - 55%

**3** : Pin #1 Option  
blank = not connected  
S = En/Disable - TriState

**4**: Op. temp. range  
blank = -20/+70  
A=-40/+85

**5** : Stability overall  
blank < ±100ppm  
50 < ±50ppm  
25 < ±25ppm  
20 < ±20ppm

**6** : Tolerance  
blank = not specified  
D < ±15ppm  
E < ±10ppm

**7** : Stability in temperature  
blank = not specified  
H < ±35ppm  
L < ±25ppm  
M < ±20ppm  
N < ±15ppm  
P < ±10ppm

**8** : Frequency (MHz)  
□□□.□□□□□□  
max 10 digits including comma